



shaping the future of optics

# Optotune

## MR-E-2 product family

Bernstrasse 388 | CH-8953 Dietikon | Switzerland  
Phone +41 58 856 3011 | [www.optotune.com](http://www.optotune.com) | [info@optotune.com](mailto:info@optotune.com)

# MR-E-2 Development Kit



## MR-E-2 Base unit

MR-E-2 Base unit controller box



Connector block

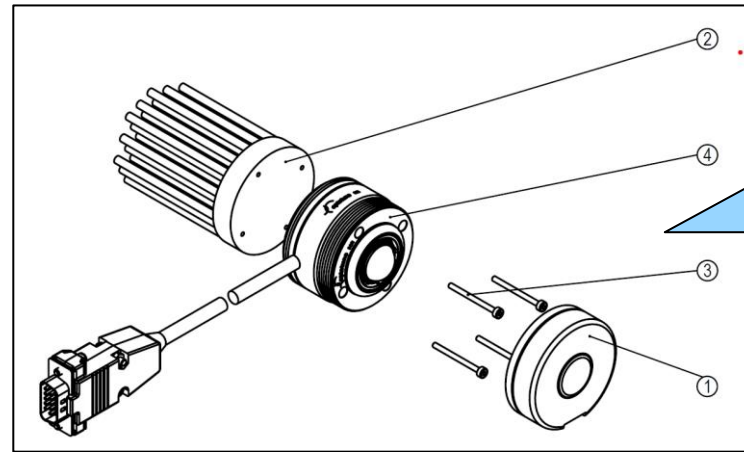


Power supply



USB cable

## MR-E-2 Mirror head unit



Incl. protective cover & heatsink



**Gold**  
(w. MR-15-30-G)



**Silver**  
(w. MR-15-30-PS)

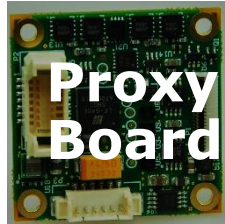


**Dielectric**  
(w. MR-15-30-DVIS)



**Custom**  
(w. custom coating, resonant mirror MR-10-30, ....)

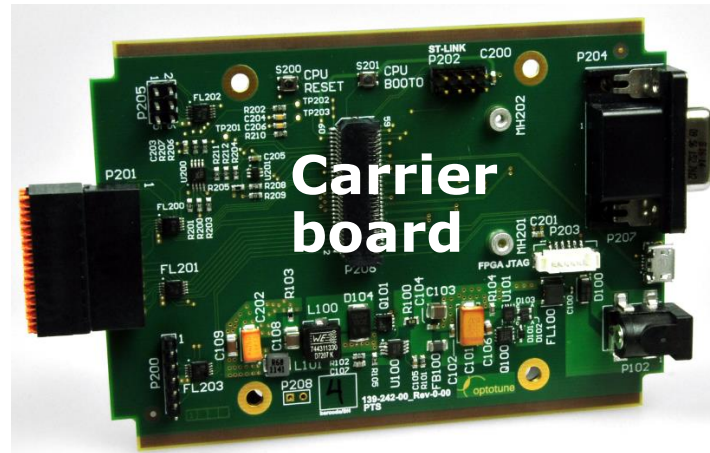
# MR-E-2 OEM version



**Proxy Board**



**CPU Board**



**Carrier board**



**MR-E-2 carrier to proxy board cable assembly**

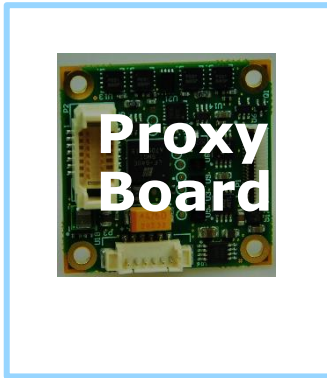


**USB cable**

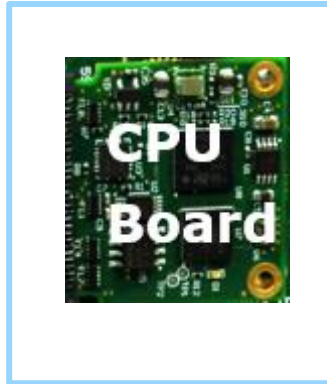


**MR-E-2 power supply**

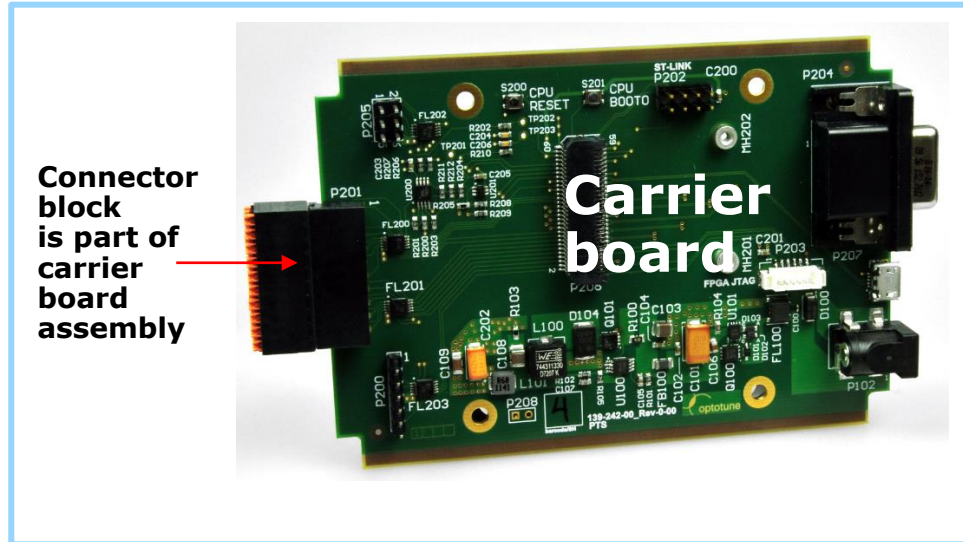
# MR-E-2 Individual Parts



**Proxy Board**



**CPU Board**



Connector block is part of carrier board assembly

**Carrier board**



**MR-E-2 carrier to proxy board cable assembly**



**USB cable**



**MR-E-2 power supply**